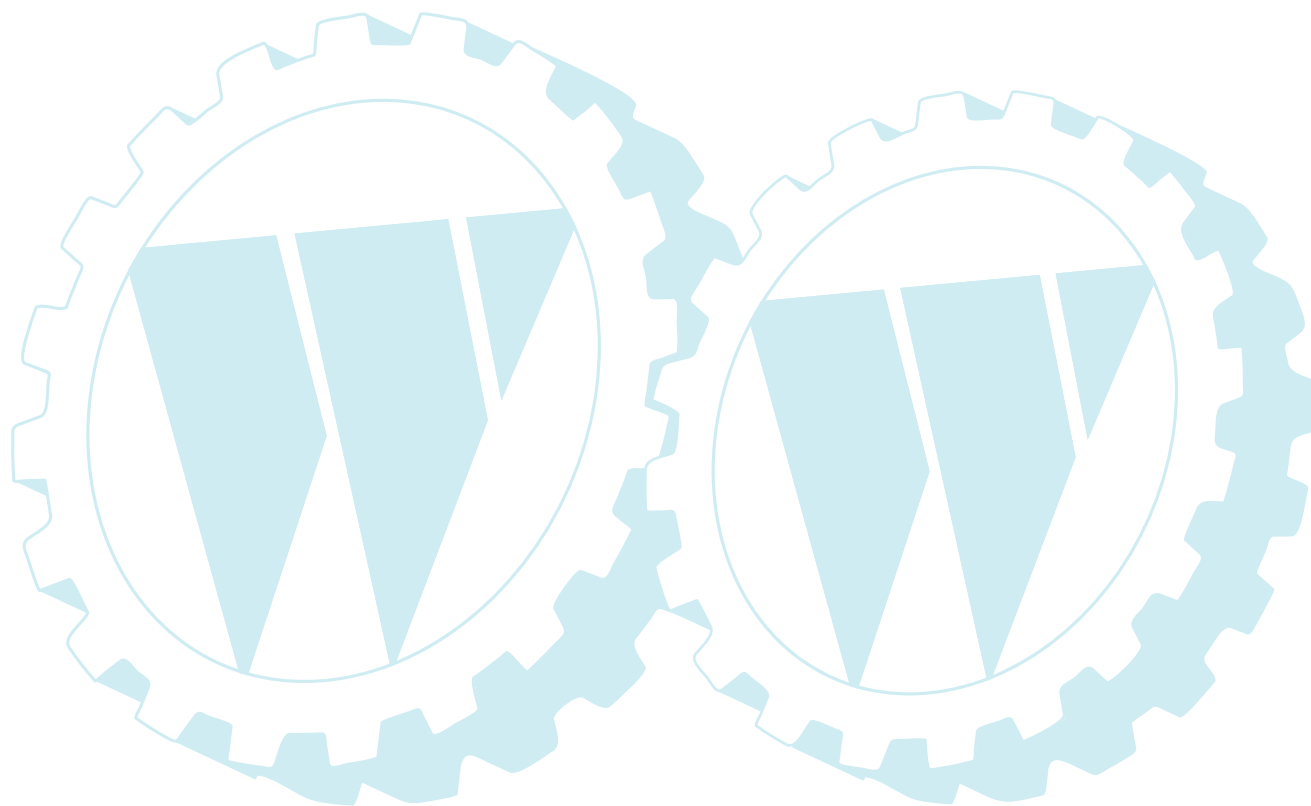


ILLUSTRATED PARTS LIST

MODEL NO. 96011021900

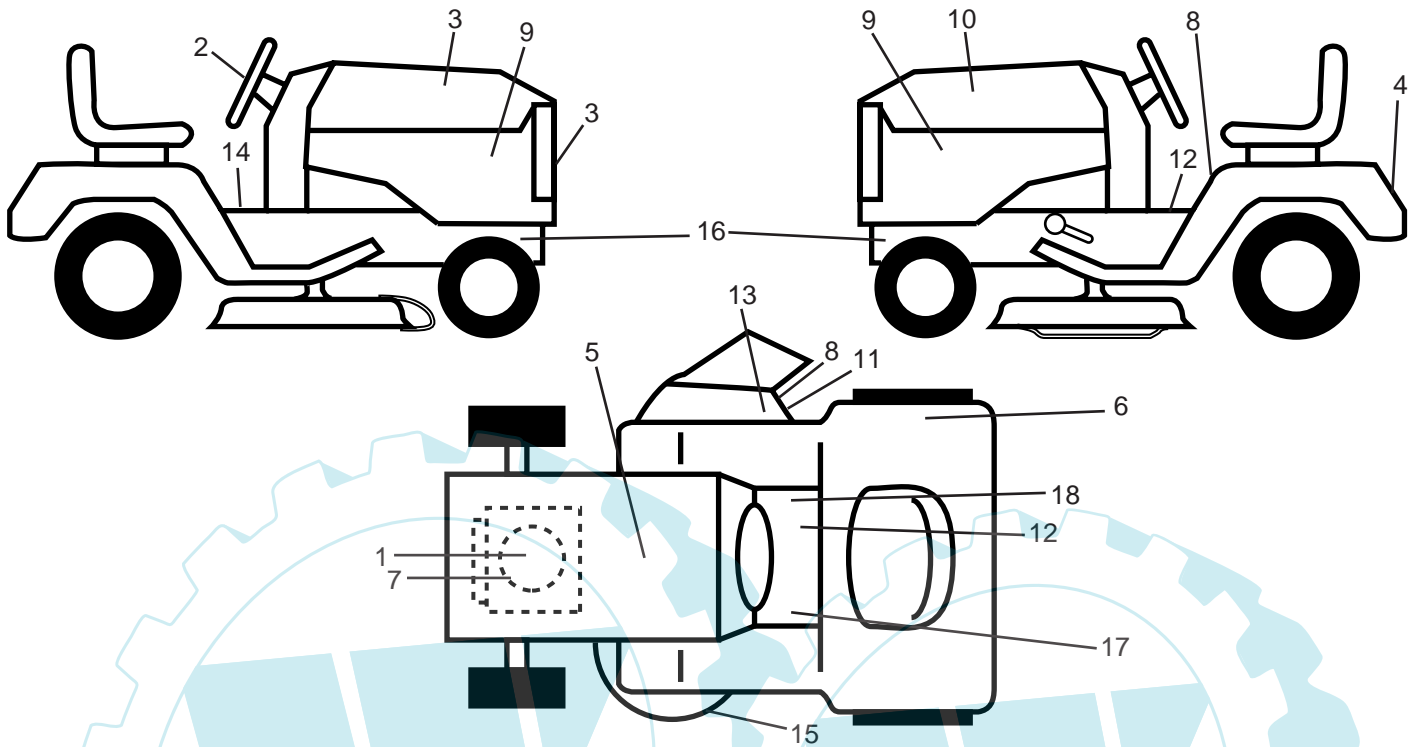
CUSTOMER CATALOG NO. PP25H48

PRODUCT NO. 960 11 02-19



REPAIR PARTS

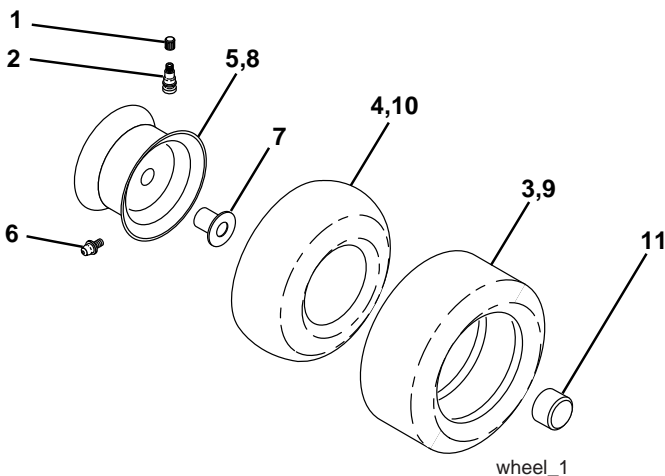
TRACTOR - MODEL NUMBER PP25H48 (96011021900), PRODUCT NO. 960 11 02-19
DECALS



KEY NO.	PART NO.	DESCRIPTION
1	532 40 28-36	Decal, Engine
2	532 17 27-43	Decal, Ins. Strg. Whl.
3	532 18 61-63	Decal, Hood RH
4	532 17 27-40	Decal, Fender
5	532 14 50-05	Decal, Btry DNGR/PSN P/L Sym.
6	532 16 88-69	Decal, Tick Mark
7	532 19 68-41	Decal, Warning Eng. Sym.
8	532 18 21-66	Decal, Cutfinger CE
9	532 18 90-51	Decal, Side Panel
10	532 18 61-64	Decal, Hood LH
11	532 19 63-57	Decal, Deflector Warning Sym
12	532 17 83-02	Decal, Oper. Cruise Sym
13	532 19 68-42	Decal, Saddle Shift Cutfinger Sym.

KEY NO.	PART NO.	DESCRIPTION
14	532 40 03-89	Decal, Warning Sym CE
15	532 17 52-91	Decal, V-Belt
16	532 15 97-63	Decal, Chassis Hot Muffler
17	532 15 97-37	Decal, Brake/Clutch Sym
18	532 14 08-37	Decal, Saddle Brake Parking
--	532 16 69-60	Decal, By Pass Lt Hydro
--	532 16 25-98	Decal, Load Limit
--	532 13 83-11	Decal, Handle Lift
--	532 19 17-87	Pad Footrest LH
--	532 19 17-86	Pad Footrest RH
--	532 40 37-10	Manual, Operator's
--	532 40 37-11	Manual, Parts

WHEELS & TIRES

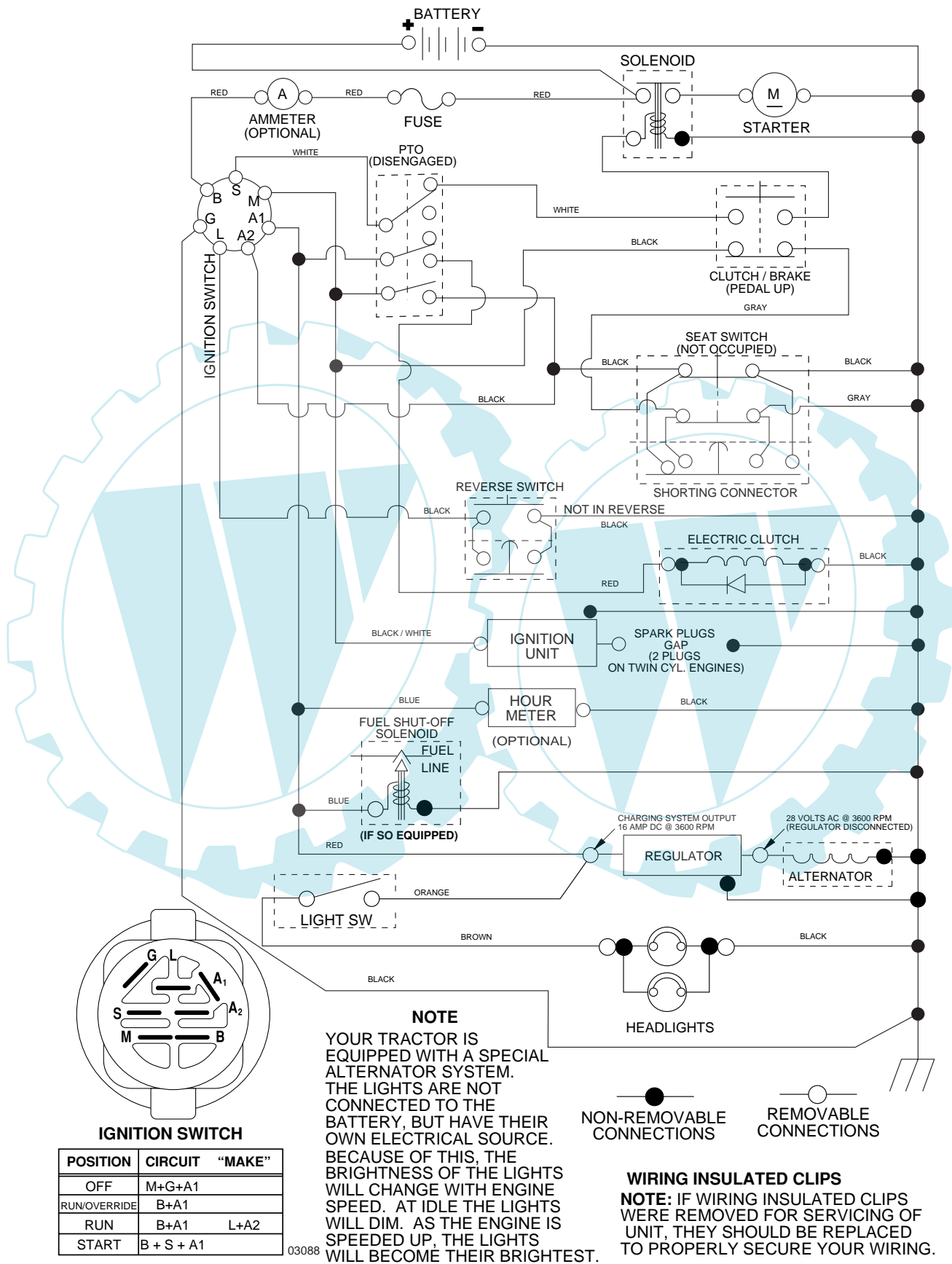


KEY NO.	PART NO.	DESCRIPTION
1	532 05 91-92	Cap Valve Tire
2	532 06 51-39	Stem Valve
3	532 10 62-22	Tire F Ts 15 x 6 0 - 6 Service
4	532 05 99-04	Tube Front (Service Item Only)
5	532 12 51-21	Rim Asm 6" front Service
6	532 00 02-78	Fitting Grease (Front Wheel Only)
7	532 12 49-59	Bearing Flange (Front Wheel Only)
8	532 12 51-22	Rim Asm 8" Rear Service
9	532 12 20-82	Tire R Ts 20 x 10-8 C Service
10	532 12 49-26	Tube Rear (Service Item Only)
11	532 19 32-68	Cap, Hub Axle
--	532 14 43-34	Tire, Sealant (10 oz. Tube)

NOTE: All component dimensions given in U.S. inches
1 inch = 25.4 mm

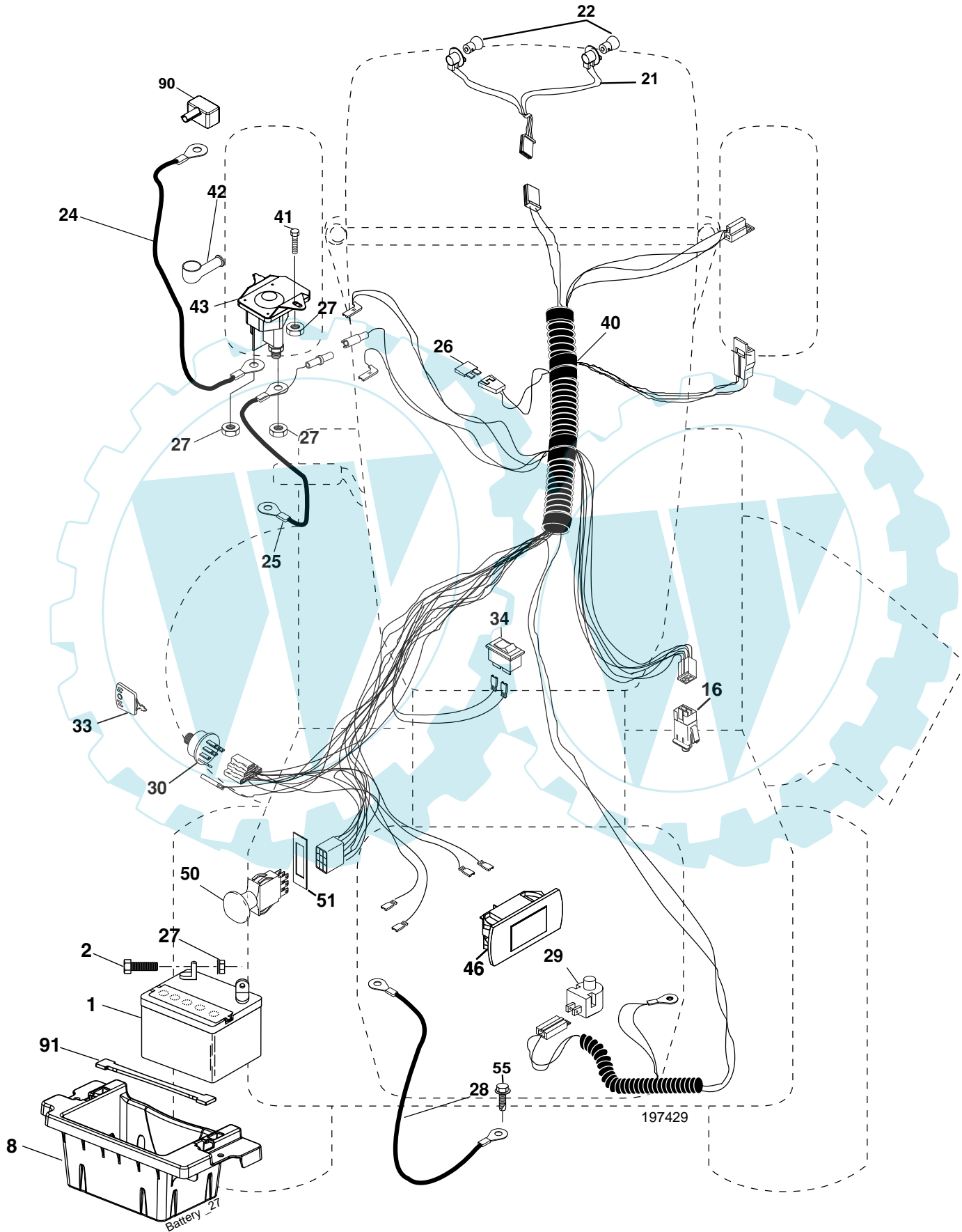
TRACTOR - MODEL NUMBER PP25H48 (96011021900), PRODUCT NO. 960 11 02-19 SCHEMATIC

03088_197429



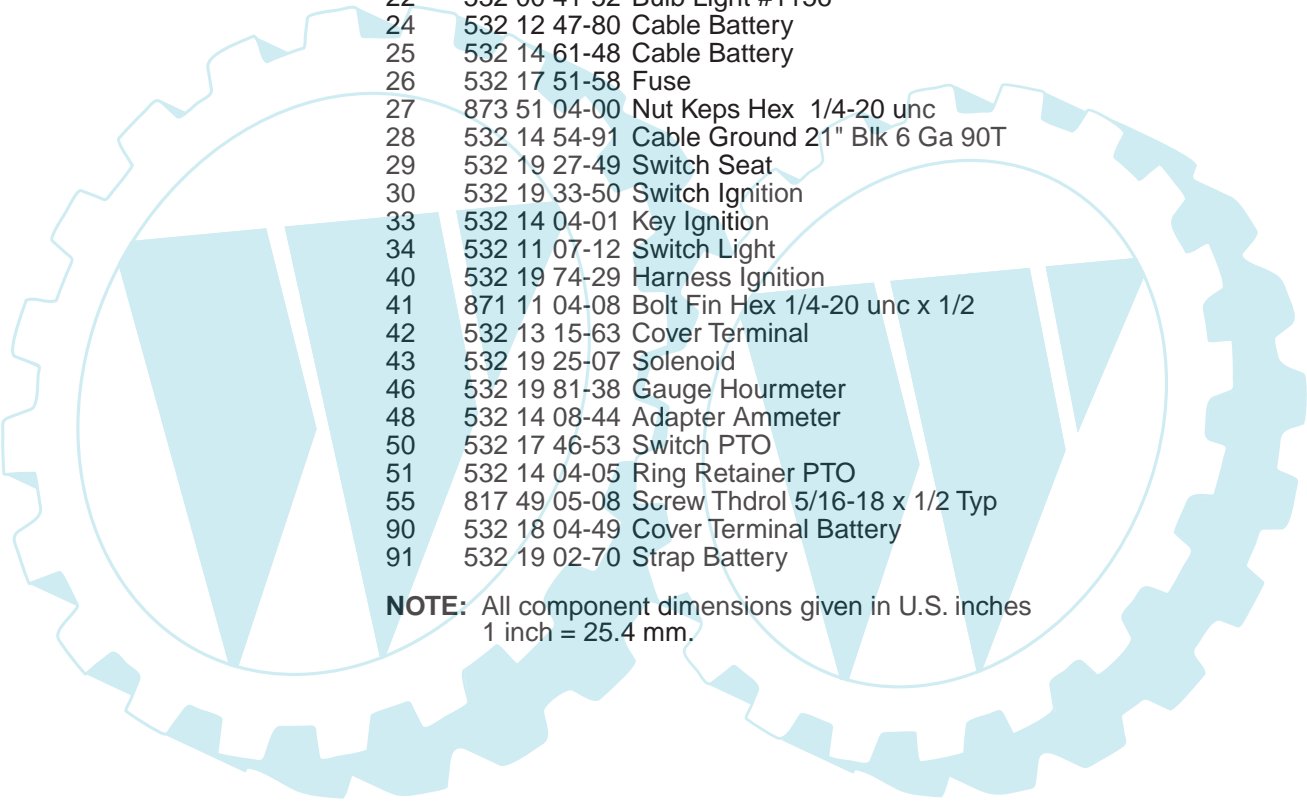
REPAIR PARTS

TRACTOR - MODEL NUMBER PP25H48 (96011021900), PRODUCT NO. 960 11 02-19
ELECTRICAL



REPAIR PARTS

TRACTOR - MODEL NUMBER PP25H48 (96011021900), PRODUCT NO. 960 11 02-19
ELECTRICAL

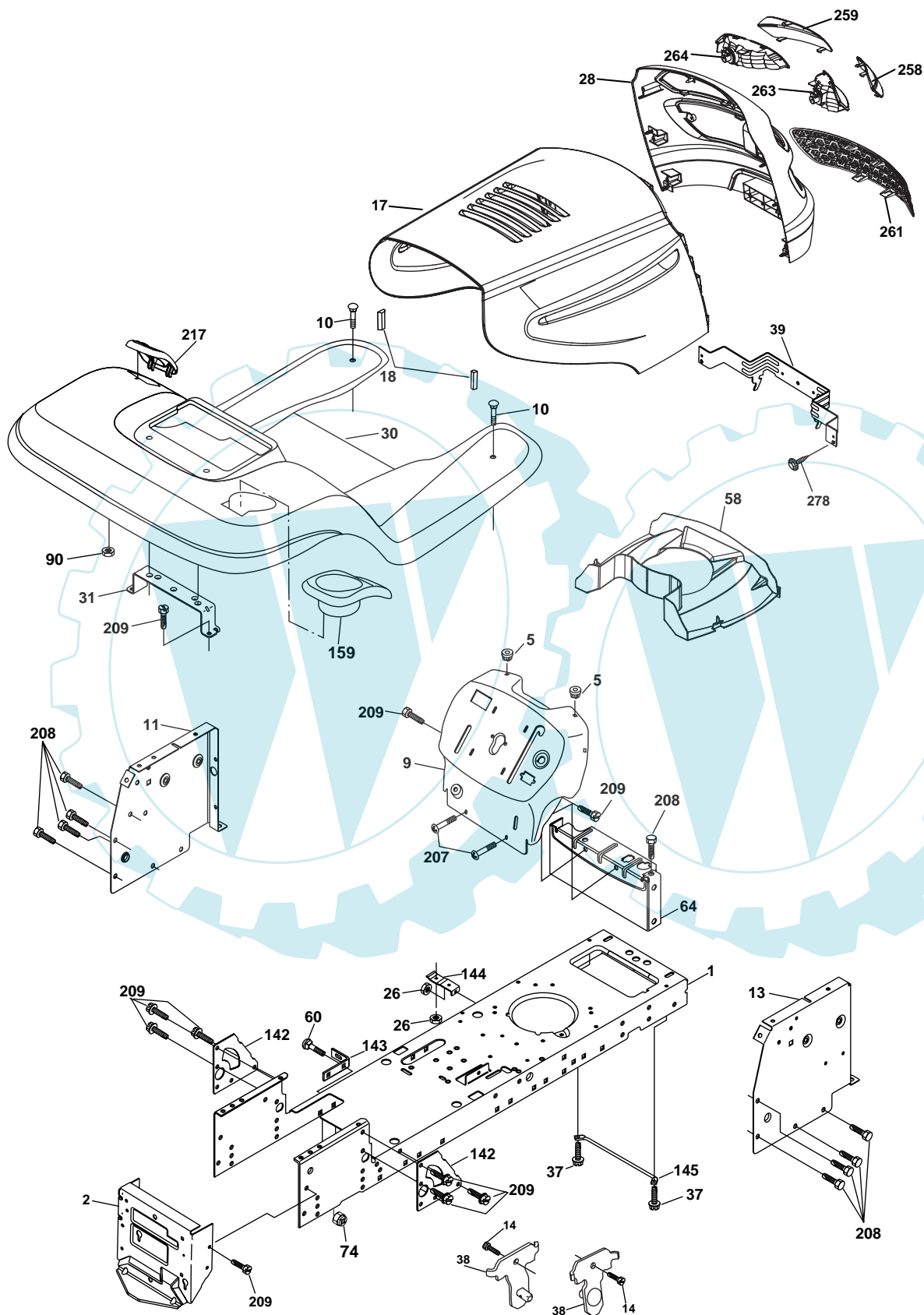


KEY NO.	PART NO.	DESCRIPTION
1	532 14 49-27	Battery
2	874 76 04-12	Bolt Hex Hd 1/4-20 unc x 3/4
8	532 18 64-91	Box Battery
16	532 17 61-38	Switch Interlock Push-In
21	532 18 37-59	Harness Asm Light W/4152j
22	532 00 41-52	Bulb Light #1156
24	532 12 47-80	Cable Battery
25	532 14 61-48	Cable Battery
26	532 17 51-58	Fuse
27	873 51 04-00	Nut Keps Hex 1/4-20 unc
28	532 14 54-91	Cable Ground 21" Blk 6 Ga 90T
29	532 19 27-49	Switch Seat
30	532 19 33-50	Switch Ignition
33	532 14 04-01	Key Ignition
34	532 11 07-12	Switch Light
40	532 19 74-29	Harness Ignition
41	871 11 04-08	Bolt Fin Hex 1/4-20 unc x 1/2
42	532 13 15-63	Cover Terminal
43	532 19 25-07	Solenoid
46	532 19 81-38	Gauge Hourmeter
48	532 14 08-44	Adapter Ammeter
50	532 17 46-53	Switch PTO
51	532 14 04-05	Ring Retainer PTO
55	817 49 05-08	Screw Thdrol 5/16-18 x 1/2 Typ
90	532 18 04-49	Cover Terminal Battery
91	532 19 02-70	Strap Battery

NOTE: All component dimensions given in U.S. inches
1 inch = 25.4 mm.

REPAIR PARTS

TRACTOR - MODEL NUMBER PP25H48 (96011021900), PRODUCT NO. 960 11 02-19
CHASSIS AND ENCLOSURES



chassis_elite sv_pro_13

REPAIR PARTS

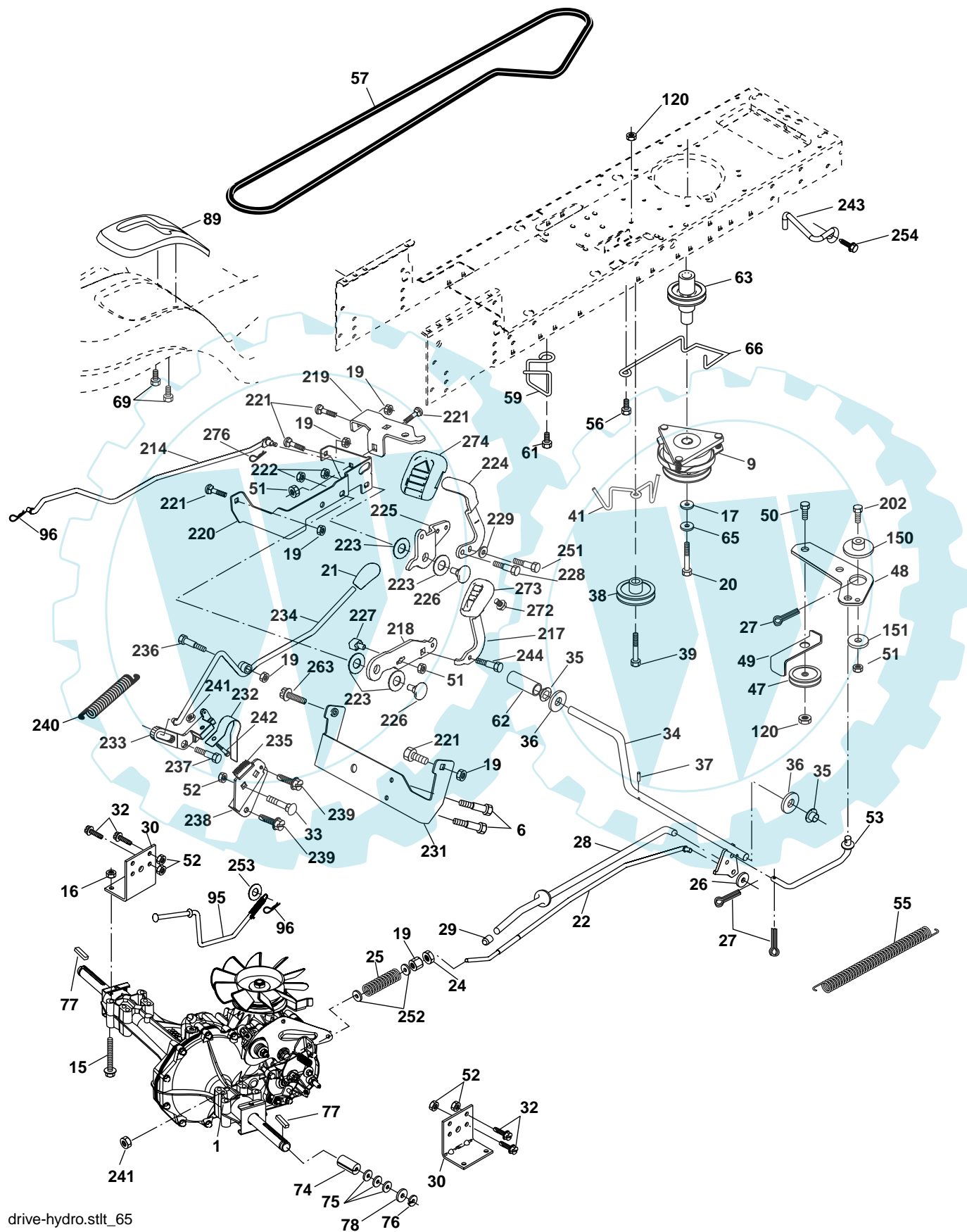
TRACTOR - MODEL NUMBER PP25H48 (96011021900), PRODUCT NO. 960 11 02-19
CHASSIS AND ENCLOSURES

KEY NO.	PART NO.	DESCRIPTION
1	532 17 46-19	Chassis Stamping
2	532 17 65-54	Drawbar
5	532 15 52-72	Bumper Hood/Dash
9	532 40 51-15	Dash
10	872 14 06-08	Bolt Rdhd Sqnk 3/8-16 unc x 1
11	532 17 49-96	Panel Dash Lh
13	532 17 52-55	Panel Dash Rh
14	817 49 06-08	Screw Thdrol 3/8-16 x 1/2
17	532 19 45-88	Hood
18	532 18 49-21	Bumper Hood
26	873 80 06-00	Nut Lock w/Insert 3/8-16 unc
28	532 18 38-28	Grille Lens Asm (Includes Key #'s 258, 259, 261, 263, 264)
30	532 19 46-18	Fender
31	532 13 99-76	Bracket
37	817 49 05-08	Screw Thdrol 5/16-18 x 1/2
38	532 17 57-10	Bracket Asm Pivot Mower Rear
39	532 17 47-14	Bracket Pivot
58	532 18 93-50	Duct Air
60	872 14 06-06	Bolt RDHD SQNK 3/8-16 x 3/4
64	532 15 47-98	Dash Lower Stlt
74	873 68 06-00	Nut Crownlock 3/8-16
142	532 17 57-02	Plate Reinforcement
143	532 18 66-89	Bracket Swaybar Chassis
144	532 17 55-82	Bracket Ft Rest
145	532 15 65-24	Rod Pivot Chassis Hood
159	532 19 46-22	Cupholder
207	817 67 05-08	Screw Thdrol 5/16-18 x 1/2
208	817 67 06-08	Screw Thdrol 3/8-16 x 1/2
209	817 00 06-12	Screw Hexwsh Thdr 3/8-16 c-x 3/4
217	532 19 46-19	Consol Fuel Window
258	532 18 97-55	Lens Grille RH
259	532 18 97-54	Lens Grille LH
261	532 18 97-53	Insert Grille
263	532 18 38-33	Bezel Grille RH
264	532 18 38-32	Bezel Grille LH
278	532 19 16-11	Screw 10 x 3/4 Single Lead-Hex

NOTE: All component dimensions given in U. S. inches
1 inch = 25.4 mm

REPAIR PARTS

TRACTOR - MODEL NUMBER PP25H48 (96011021900), PRODUCT NO. 960 11 02-19
DRIVE



drive-hydro.stlt_65

REPAIR PARTS

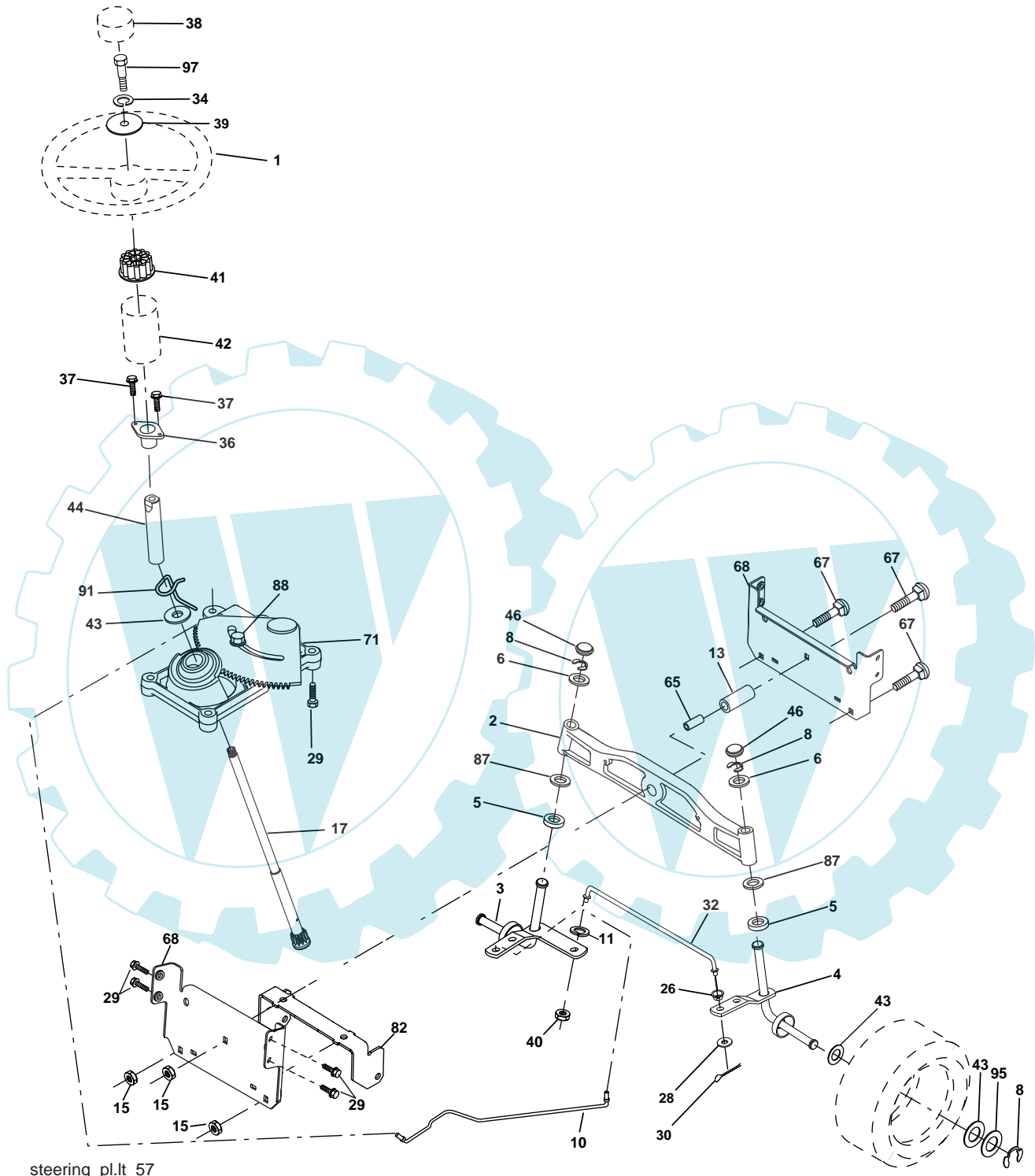
TRACTOR - MODEL NUMBER PP25H48 (96011021900), PRODUCT NO. 960 11 02-19 DRIVE

KEY NO.	PART NO.	DESCRIPTION	KEY NO.	PART NO.	DESCRIPTION
1	-----	Transaxle (Order parts from transaxle manufacturer) Hydro Gear Model 347-0510	78	532 12 17-48	Washer 25/32 x 1-5/8 x 16 Ga.
6	817 06 05-12	Screw 5/16-18 x 3/4	89	532 19 22-59	Console, Shift
9	532 17 93-34	Clutch Elec	95	532 19 56-31	Bypass Asm
15	874 49 05-44	Bolt Hex Flghd 5/16-18 Gr. 5	96	532 12 47-88	Retainer Spring 1" Zinc/Cad
16	873 80 05-00	Nut Lock Hex W/Ins. 5/16-18 unc	120	873 90 06-00	Nut Lock Flg 3/8-16 unc
17	532 12 61-97	Washer 1-1/2 OD x 15/32 ID x .250	150	532 17 54-56	Spacer Retainer
19	873 80 06-00	Nut Lock Hex W/Wsh 3/8-16 unc	151	819 13 32-10	Washer 13/32 x 2 x 10 Ga.
20	532 17 39-37	Bolt Hex 7/16-20 x 4 x Gr. 5-1.5	202	872 11 06-14	Bolt Rdhd 3/8-16 x 1-3/4 Gr. 5
21	532 18 65-71	Knob Custom Control Cruise	214	532 17 47-35	Link Transaxle
22	532 17 58-96	Rod, Brake	217	532 17 94-33	Pedal Reverse Asm
24	873 35 06-00	Nut, Hex Jam 3/8-16 unc	218	532 17 47-13	Arm Control Pedal Reverse
25	532 19 20-36	Spring, Brake Rod	219	532 17 48-39	Bracket Frest Pdl Ctrl. Hyd
26	819 13 13-16	Washer	220	532 17 47-11	Bracket Mtg. Pedal Control
27	876 02 04-12	Pin Cotter 1/8 x 3/4 CAD.	221	872 14 06-06	Bolt Rdhd Sqnk 3/8-16 unc x 3/4
28	532 17 57-65	Rod, Parking Brake	222	873 68 07-00	Nut Crownlock 7/16-14 unc
29	532 07 16-73	Cap, Brake, Park	223	532 17 48-40	Washer Nylon 11/16 ID x .060
30	532 16 95-92	Bracket, Transaxle	224	532 17 47-36	Pedal Forward
32	874 76 05-12	Bolt Hex Hd 5/16-18 unc x 3/4	225	532 17 47-12	Arm Control Pedal Forward
33	872 14 05-06	Bolt Rdhd Sqnk 5/16-18 unc x 3/4	226	532 17 49-02	Bolt Pivot Spacer
34	532 17 55-78	Shaft, Foot Pedal	227	532 17 47-10	Cam Reverse Pedal LT
35	532 12 01-83	Bearing, Nylon	228	532 17 90-32	Bolt Shoulder 5/16-18
36	819 21 16-16	Washer	229	532 17 64-51	Washer Serrated 5/16 x .75
37	532 12 49-63	Pin, Roll	231	532 40 25-50	Strap Torque
38	532 17 91-14	Pulley, Composite, Flat	232	532 17 55-70	Actuator Cruise Disengage
39	872 11 06-22	Bolt Rdhd 3/8-16 unc x 2-3/4 Gr. 5	233	532 17 48-56	Pawl Control Cruise
41	532 17 55-56	Keeper, Belt Idler Flat	234	532 17 48-58	Lever Control Cruise
47	532 12 77-83	Pulley, Idler, V-Groove	235	532 17 48-57	Sector Control Cruise
48	532 15 44-07	Bellcrank Clutch Grnd Drw Stl	236	532 12 89-03	Bolt Shoulder 3/8-16 unc 1/44
49	532 12 32-05	Retainer, Belt	237	532 17 01-65	Bolt Shoulder 5/16-18
50	872 11 06-12	Bolt	238	532 17 58-07	Arm Mtg. Cruise Sector
51	873 68 06-00	Nut Crownlock 3/8-16 unc	239	817 49 05-08	Screw Thdrol 5/16 x 1/2
52	873 68 05-00	Nut, Crownlock 5/16-18 unc	240	532 17 56-10	Spring Return Cruise Control
53	532 19 96-52	Link, Clutch	241	873 93 04-00	Nut Centerlock 1/4-20 unc
55	532 10 57-09	Spring, Return, Clutch	242	874 78 04-12	Bolt Fin Hex 1/4-20 unc x .75
56	817 06 06-20	Screw 3/8-16 x 1-1/4	243	532 19 07-36	Bracket Anti-Rotation
57	532 14 02-94	V-Belt, Ground Drive	244	817 49 05-10	Screw 5/16-18 x 5/8
59	532 16 96-91	Keeper, Center Span	251	817 06 05-16	Screw 5/16-18 x 1
61	817 12 06-14	Screw 3/8-16 x .875	252	819 13 16-16	Washer 13/32 x 1 x 16 Ga.
62	532 12 48-72	Cover, Pedal	253	532 17 94-22	Washer .3125 x .615 x 16 Ga.
63	532 17 46-07	Pulley, Engine	254	817 00 06-16	Screw 3/8-16 x 1
65	810 04 07-00	Washer	263	817 00 06-12	Screw Hexwsh Thdr 3/8-16 x 3/4
66	532 15 47-78	Keeper Belt Engine	272	817 67 05-08	Screw Thdrol 5/16-18 x 1/2
69	532 14 24-32	Screw Hex Wsh Hi-Lo 1/4 x 1/2 unc	273	532 17 96-10	Pad Pedal Reverse
74	532 13 70-57	Spacer, Axle	274	532 17 56-46	Cover Pedal Forward
75	532 12 17-49	Washer 25/32 x 1-1/4 x 16 Ga.	276	532 17 80-62	Clip Retainer
76	812 00 00-01	E-Ring			
77	532 12 35-83	Key, Square			

NOTE: All component dimensions given in U.S. inches
1 inch = 25.4 mm.

REPAIR PARTS

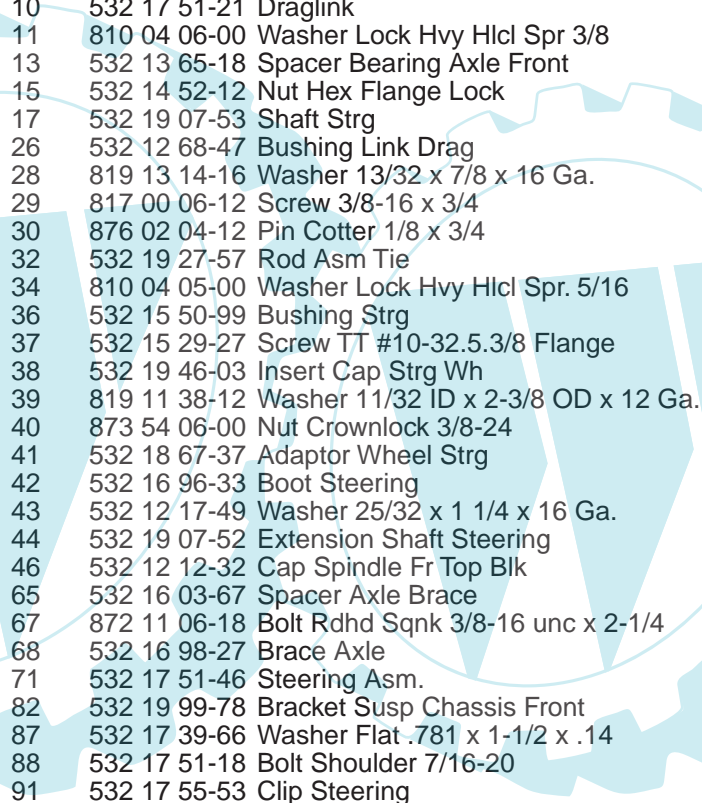
TRACTOR - MODEL NUMBER PP25H48 (96011021900), PRODUCT NO. 960 11 02-19
STEERING ASSEMBLY



steering_pl.lt_57

REPAIR PARTS

TRACTOR - MODEL NUMBER PP25H48 (96011021900), PRODUCT NO. 960 11 02-19
STEERING ASSEMBLY

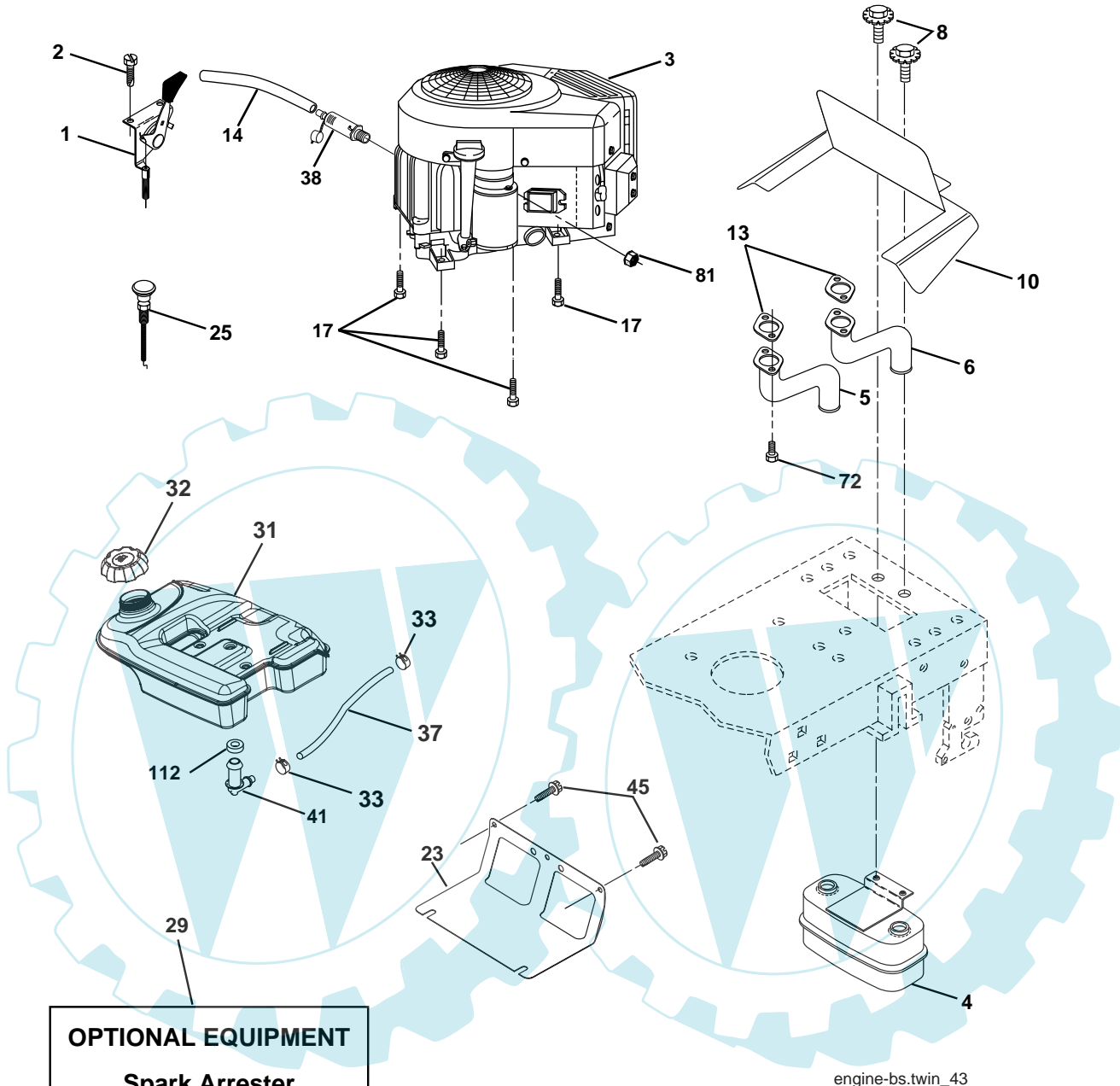


KEY NO.	PART NO.	DESCRIPTION
1	532 19 45-95	Wheel Steering
2	532 18 47-06	Axle Casting Iron Lt
3	532 16 98-40	Spindle Asm LH
4	532 16 98-39	Spindle Asm RH
5	532 12 49-31	Washer Thrust .75 x 1.230
6	532 12 17-48	Washer 25/32 x 1-5/8 x 16 Ga
8	812 00 00-29	Ring Klip #t5304-75
10	532 17 51-21	Draglink
11	810 04 06-00	Washer Lock Hvy Hlcl Spr 3/8
13	532 13 65-18	Spacer Bearing Axle Front
15	532 14 52-12	Nut Hex Flange Lock
17	532 19 07-53	Shaft Strg
26	532 12 68-47	Bushing Link Drag
28	819 13 14-16	Washer 13/32 x 7/8 x 16 Ga.
29	817 00 06-12	Screw 3/8-16 x 3/4
30	876 02 04-12	Pin Cotter 1/8 x 3/4
32	532 19 27-57	Rod Asm Tie
34	810 04 05-00	Washer Lock Hvy Hlcl Spr. 5/16
36	532 15 50-99	Bushing Strg
37	532 15 29-27	Screw TT #10-32.5.3/8 Flange
38	532 19 46-03	Insert Cap Strg Wh
39	819 11 38-12	Washer 11/32 ID x 2-3/8 OD x 12 Ga.
40	873 54 06-00	Nut Crownlock 3/8-24
41	532 18 67-37	Adaptor Wheel Strg
42	532 16 96-33	Boot Steering
43	532 12 17-49	Washer 25/32 x 1 1/4 x 16 Ga.
44	532 19 07-52	Extension Shaft Steering
46	532 12 12-32	Cap Spindle Fr Top Blk
65	532 16 03-67	Spacer Axle Brace
67	872 11 06-18	Bolt Rdhd Sqnk 3/8-16 unc x 2-1/4
68	532 16 98-27	Brace Axle
71	532 17 51-46	Steering Asm.
82	532 19 99-78	Bracket Susp Chassis Front
87	532 17 39-66	Washer Flat .781 x 1-1/2 x .14
88	532 17 51-18	Bolt Shoulder 7/16-20
91	532 17 55-53	Clip Steering
95	532 18 89-67	Washer Harden .793 x 1.637 x 060
97	874 78 05-64	Bolt 5/16-18 unc x 4"L Gr. 5

NOTE: All component dimensions given in U.S. inches
1 inch = 25.4 mm.

REPAIR PARTS

TRACTOR - MODEL NUMBER PP25H48 (96011021900), PRODUCT NO. 960 11 02-19
ENGINE



OPTIONAL EQUIPMENT
Spark Arrester

engine-bs.twin_43

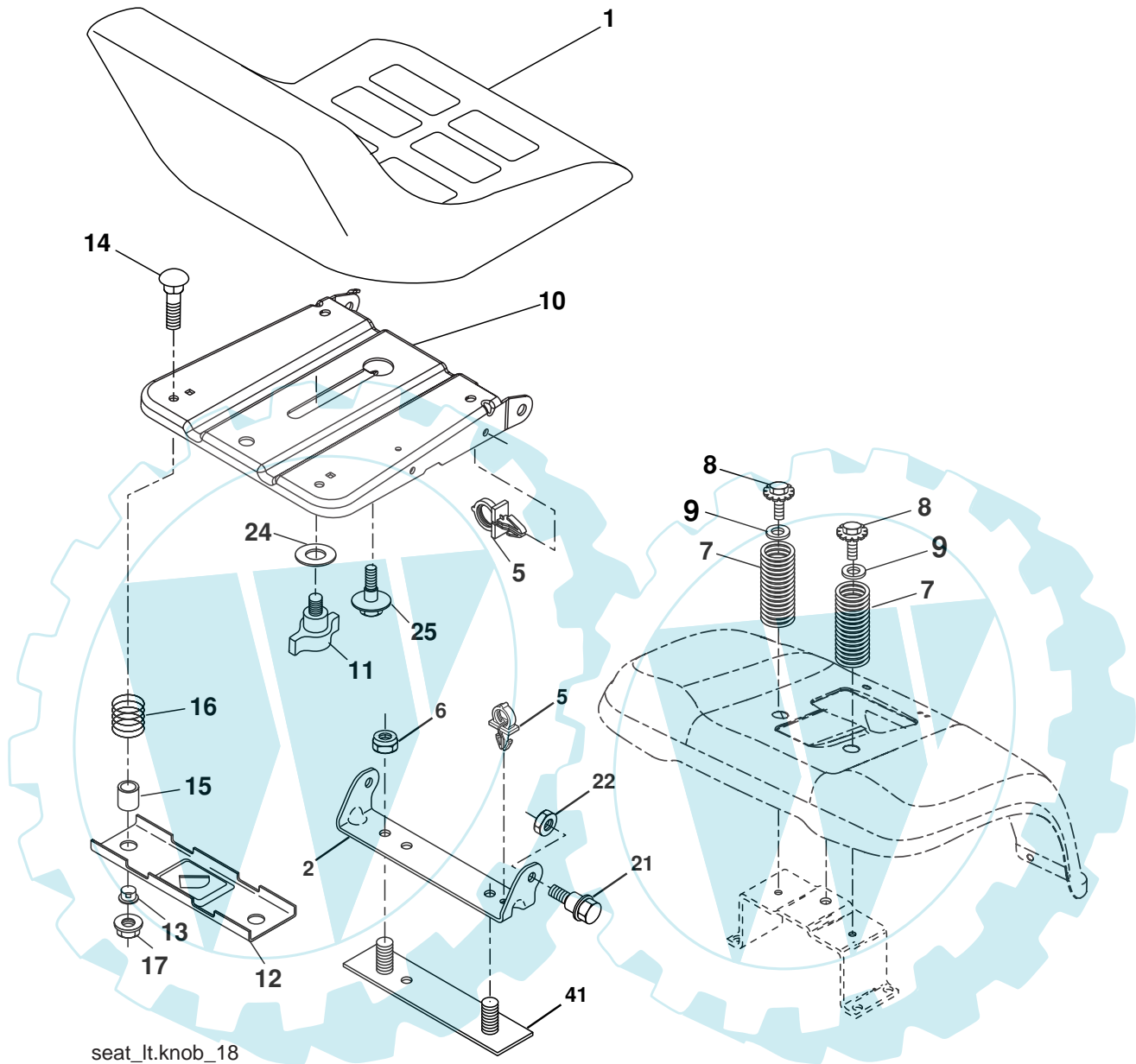
KEY NO.	PART NO.	DESCRIPTION
1	532 17 07-71	Control Throttle
2	817 72 04-08	Screw Thd Cut 1/4-20 x 1/2
3	-----	Engine Briggs Model 445777 Order parts from engine manufacturer
4	532 14 97-23	Muffler Twin Lo-Twin
5	532 15 99-55	Tube, Manifold Lh
6	532 16 05-89	Tube, Manifold Rh
8	532 17 18-77	Bolt 5/16-18 Unc x 3/4 w/Sems
10	532 16 27-97	Shield Heat Muffler
13	532 16 39-51	Gasket Muffler
14	532 14 84-56	Tube Drain Oil Easy
17	817 06 06-24	Screw, Thdrol 3/8-16 x 1-1/2 Tap/R
23	532 16 98-37	Shield Brn/Dbr Guard
25	532 19 17-17	Choke Control

KEY NO.	PART NO.	DESCRIPTION
29	532 13 71-80	Kit Spark Arrestor (Flat Scrn)
31	532 17 90-22	Tank Fuel
32	532 18 29-02	Cap Asm Fuel
33	532 12 34-87	Clamp Hose Blk
37	532 14 21-58	Line Fuel
38	532 18 16-54	Plug Drain Oil Easy
41	532 13 92-77	Stem Tank Fuel
45	817 00 06-12	Screw Hex Wsh Thdrol 3/8-16
72	532 18 39-06	Screw Socket Head 5/16-18 x 1
81	873 51 04-00	Nut Keps Hex 1/4-20 unc
112	532 12 49-52	Bushing

NOTE: All component dimensions given in U.S. inches
1 inch = 25.4 mm

REPAIR PARTS

TRACTOR - MODEL NUMBER PP25H48 (96011021900), PRODUCT NO. 960 11 02-19
SEAT ASSEMBLY



seat_lt.knob_18

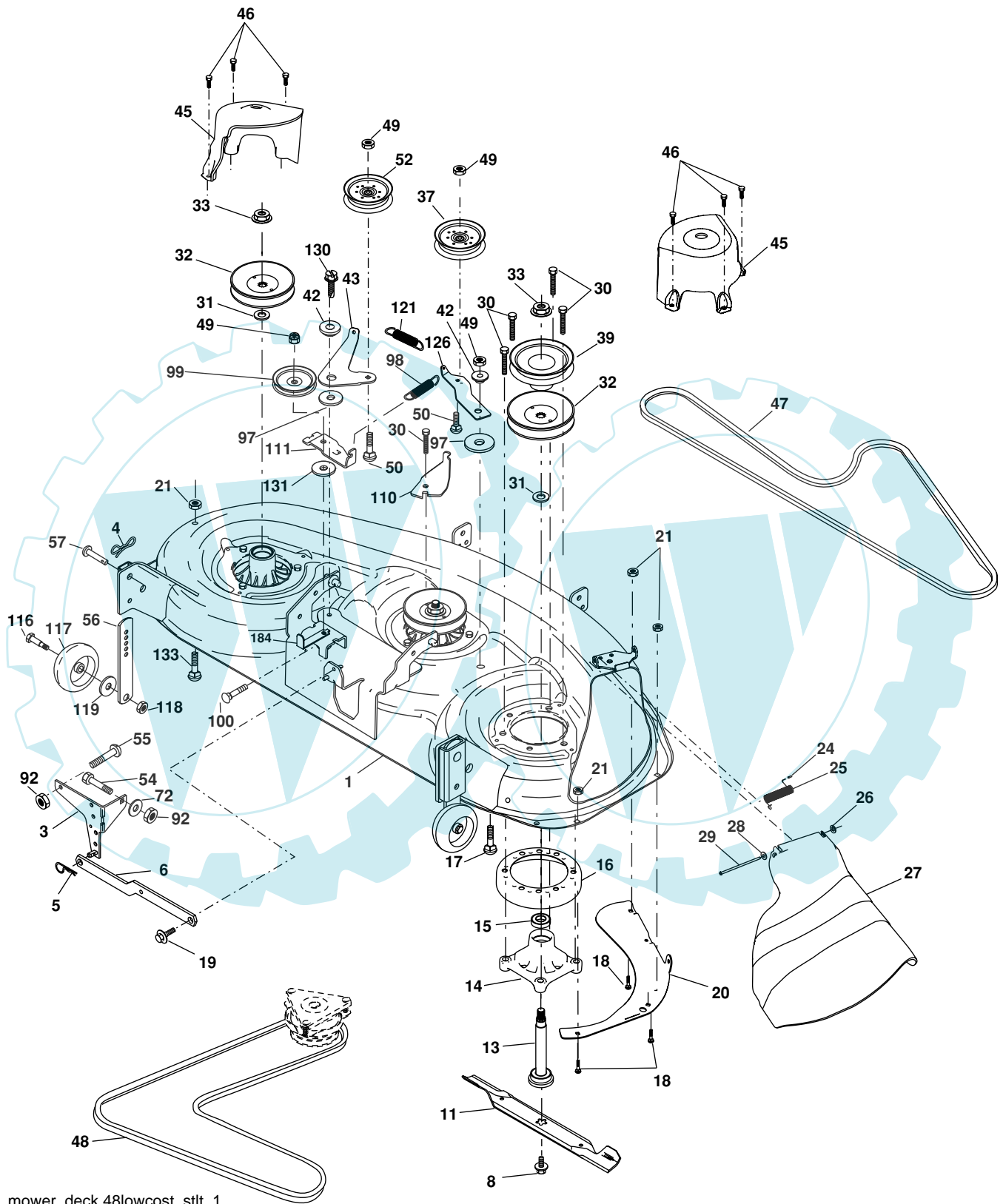
KEY NO.	PART NO.	DESCRIPTION
1	532 18 90-22	Seat
2	532 14 05-51	Bracket Pivot
5	532 14 50-06	Clip Push-In Hinged
6	873 80 06-00	Nut Lock Hex w/Ins. 3/8-16 unc
7	532 12 41-81	Spring Seat Cprsn 2 250 Blk Zi
8	817 00 06-16	Screw 3/8-16 x 1
9	819 13 16-14	Washer 13/32 x 1 x 14 Ga.
10	532 19 55-30	Pan Seat
11	532 16 63-69	Knob Seat
12	532 17 46-48	Bracket Mounting Switch
13	532 12 12-48	Bushing Snap Blk Nyl 50 Id
14	872 05 04-12	Bolt Rdhd Sht Nk 1/4-20 x 1-1/2

KEY NO.	PART NO.	DESCRIPTION
15	532 12 12-49	Spacer Split 28x 88 Yel Zinc
16	532 12 37-40	Spring Cprsn 1 310 Blk Pnt
17	532 12 39-76	Nut Lock 1/4 Lge Flg Gr. 5 Zinc
21	532 17 18-52	Bolt Shoulder 5/16-18 unc-2A
22	873 80 05-00	Nut Lock Hx W/Ins 5/16-18 unc
24	819 17 19-12	Washer 17/32 x 1-3/16 x 12 Ga.
41	532 14 06-75	Strap Asm. Fender
25	532 12 70-18	Bolt Shoulder 5/16-18 x .62

NOTE: All component dimensions given in U.S. inches
1 inch = 25.4 mm.

REPAIR PARTS

TRACTOR - MODEL NUMBER PP25H48 (96011021900), PRODUCT NO. 960 11 02-19
MOWER DECK



mower_deck.48lowcost_stlt_1

REPAIR PARTS

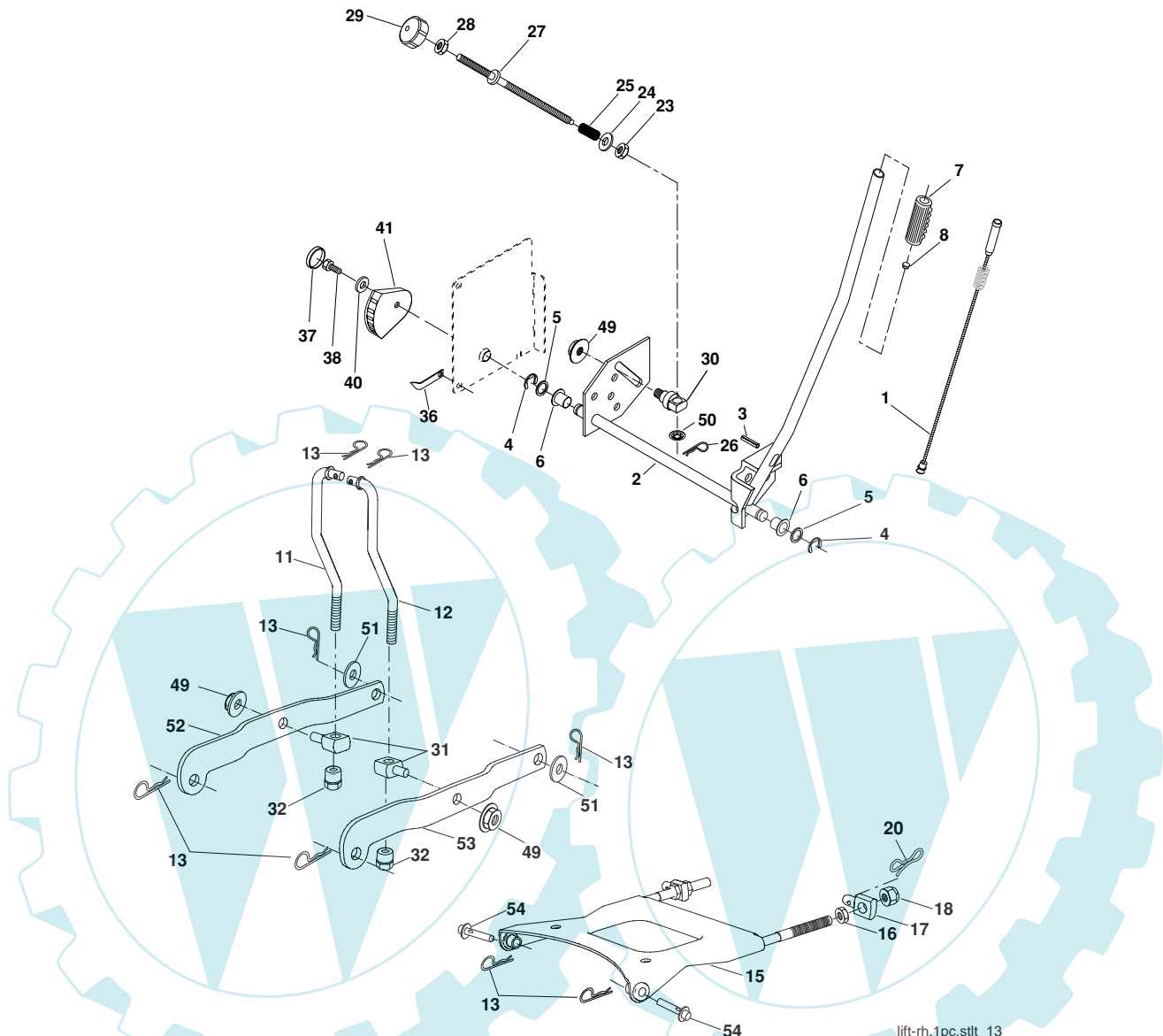
TRACTOR - MODEL NUMBER PP25H48 (96011021900), PRODUCT NO. 960 11 02-19 MOWER DECK

KEY NO.	PART NO.	DESCRIPTION	KEY NO.	PART NO.	DESCRIPTION
1	532 18 03-58	Deck Weldment Mower 48	49	873 90 06-00	Nut, Lock 3/8-16 unc
3	532 13 80-17	Bracket Asm., Sway Bar	50	872 11 06-12	Bolt, Carriage 3/8-16 x 1-1/2 Gr. 5
4	532 19 42-08	Pin Cotter 5/16 Bow Tie Lock	52	532 17 58-20	Pulley Idler Flat 46 Pri. Drive
5	532 12 46-70	Retainer Spring	54	874 78 06-16	Bolt Fin Hex 3/8-16 x 1
6	532 17 80-24	Bar Sway Deck	55	872 14 06-08	Bolt Rdhd Sqnk 3/8-16 x 1
8	532 17 43-65	Bolt, 7/16 Asm. Blade	56	532 15 59-86	Bar Pnt Adjusting Wheel Gauge
11	532 18 00-54	Blade	57	532 15 69-41	Pin Head Rivet
13	532 17 51-47	Shaft Asm. Mandrel Sealed	72	819 13 13-12	Washer 13/32 x 13/16 x 12
14	532 17 43-58	Housing Mandrel 48"	92	873 80 06-00	Nut Lock Hex w/Ins 3/8-16
15	532 11 04-85	Bearing, Ball, Mandrel	97	532 17 85-15	Washer Hardened
16	532 17 44-93	Stripper, Mower	98	532 17 94-79	Spring Primary Drive
17	872 11 06-10	Bolt Rdhd Sq Neck 3/8-16 x 1.25	99	532 18 99-93	Pulley Idler "V"
18	872 14 05-05	Bolt, Carriage 5/16-18 x 5/8	100	872 11 06-16	Bolt RDHD Sqnk 3/8-16 unc x 2
19	532 13 28-27	Bolt, Hex Hd, Shoulder 5/16-18	110	532 17 50-16	Arm Spring Secondary
20	532 17 43-78	Baffle, Vortex Mower	111	532 17 46-10	Arm Spring Fixed Tension
21	873 68 05-00	Nut, Crownlock 5/16-18 unc	116	532 19 34-06	Bolt, Shoulder
24	532 10 53-04	Cap, Sleeve	117	532 17 48-73	Gauge Wheel
25	532 17 81-02	Spring, Torsion	118	873 93 06-00	Nut, Centerlock 3/8-16 unc
26	532 11 04-52	Nut, Push	119	819 12 14-14	Washer 3/8 x 7/8 x 14 Ga.
27	532 18 17-07	Shield, Deflector Mower	121	532 17 43-71	Spring Secondary Drive
28	819 11 10-16	Washer 11/32 x 5/8 x 16 Ga.	126	532 17 43-72	Arm, Idler, Primary Deck
29	532 13 14-91	Rod, Hinge	130	817 00 06-16	Screw 3/8-16 x 1.0
30	532 17 39-84	Screw, Thdroll, Washer Head	131	819 13 16-06	Washer 13/32 x 1 x 6 Ga.
31	532 18 76-90	Washer, Spacer Mower Vented	133	872 11 05-06	Bolt Rdhd Sqnk 5/16-18 unc x 3/4
32	532 17 34-36	Pulley, Mandrel	184	532 17 39-79	Keeper Belt Idler
33	532 40 02-34	Nut, Flg. Top Lock	--	532 17 43-57	Mandrel Assembly (Includes Housing, Shaft and Shaft Hardware Only-Pulley Not Included)
37	532 17 79-68	Pulley, Idler, Flat	--	532 18 63-53	Replacement Mower, Complete (Std Deck)
39	532 17 43-75	Pulley, Idler, Driven			
42	532 12 20-52	Spacer, Retainer			
43	532 17 43-73	Arm, Idler Secondary			
45	532 18 08-06	Cover, Mandrel Deck			
46	532 13 77-29	Screw, Thdroll. 1/4-20 x 5/8			
47	532 18 08-08	V-Belt, Mower, Secondary			
48	532 17 43-68	V-Belt, Mower, Primary			

NOTE: All component dimensions given in U.S. inches
1 inch = 25.4 mm

REPAIR PARTS

TRACTOR - MODEL NUMBER PP25H48 (96011021900), PRODUCT NO. 960 11 02-19
MOWER LIFT



lift-rh.1pc.stlt_13

KEY NO.	PART NO.	DESCRIPTION
1	532 19 84-17	Wire Asm Inner/Spring W/Plunger
2	532 19 80-70	Shaft Asm Lift RH w/Inf
3	532 18 88-22	Pin Groove
4	812 00 00-02	E Ring #5133-62
5	819 21 16-21	Washer 21/32 x 1 x 21 Ga.
6	532 12 01-83	Bearing Nylon Blk 629 Id
7	532 12 56-31	Grip Handle Fluted Blk
8	532 17 07-70	Button Plunger
11	532 17 53-70	Link Lift LH
12	532 17 53-71	Link Lift RH
13	532 12 46-70	Retainer Spring
15	532 17 55-62	Plate Asm Susp Front
16	873 35 08-00	Nut Jam Hex 1/2-13 unc
17	532 17 56-89	Trunnion
18	873 80 08-00	Nut Lock w/Wsh 1/2-13 unc
20	532 19 42-09	Pin Cotter 7/16 Bow Tie Lock
23	532 11 08-07	Nut Special
24	819 13 10-16	Washer 13/32 x 5/8 x 16 Ga.
25	532 12 48-74	Spring
26	532 16 94-84	Retainer Clip

KEY NO.	PART NO.	DESCRIPTION
27	532 12 69-71	Rod Adj Lift
28	873 35 06-00	Nut Hex Jam 3/8-16 unc
29	532 13 80-57	Knob Inf 3/8-16 unc Blk W/sym
30	532 15 02-33	Trunnion Infin Height
31	532 17 62-05	Trunnion
32	532 17 59-94	Nut Lift Link 7/16-20
36	532 15 50-97	Indicator Height STLT
37	532 12 39-35	Plug Hole Blk 1.485/1.515 Dia.
38	817 06 05-16	Screw 5/16-18 x 1
40	819 11 24-10	Washer 11/32 x 1-1/2 10 Ga.
41	532 15 50-98	Scale Ind. Height Blk.
49	532 14 52-12	Nut Hex Flange Lock
50	532 11 04-52	Nut, Push Phos & Oil
51	819 17 14-16	Washer 17/32 x 7/8 x 16 Ga.
52	532 17 53-78	Arm Susp. Rear Lh
53	532 17 58-02	Arm Susp. Rear Rh
54	532 17 55-60	Pin Flange

NOTE: All component dimensions given in U.S. inches
1 inch = 25.4 mm